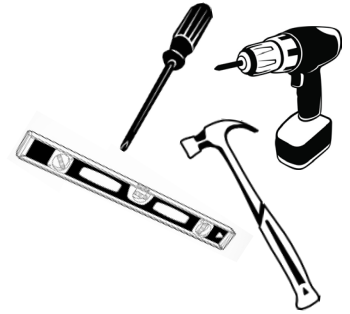


# Installing Your Custom Framed Mirror



## Tools Required

- Hammer
- Drill with 1/4" and 3/16" drill bits
- Phillips head screwdriver
- Level



## Step One

Inspect frame and mirror for any damages or manufacturer defects.

## Step Two

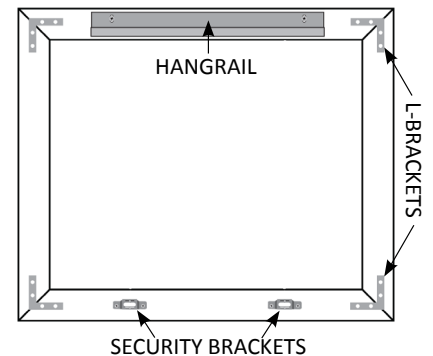
Locate all hardware. Installed on the back of the frame, there should be:

- 1 hangrail on the top of the frame
- 2 security brackets on the bottom of the frame (1 bracket on smaller frames)
- 4 L brackets, one on each corner

Hanging hardware will be packaged separately and taped to the inside of the box.

It should include:

- 1 hangrail
- 12 screws with wall anchors
- 2 T-Bolts with wall anchors
- 1 security wrench (1 wrench per order)



## Step Three

For best results, always install frame into one or more wall studs. When a stud is not available, use provided wall anchors.

Install hangrail(s) at the desired height, with the screw holes facing downward.  
Use wall anchors if necessary.

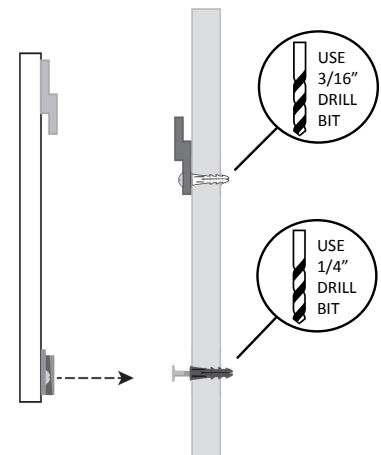
## Step Four

Hang the frame onto the wall by interlocking the hangrails into each other.

## Step Five

With the frame hanging on the wall and level, apply slight pressure to the bottom of the frame where the security brackets are installed. **DO NOT PRESS ON MIRROR.** This slight pressure will make an indentation on the wall of where the security bracket opening rests on the wall.

Remove the frame and set aside.



## Step Six

Install the blue wall anchors in the middle of the security bracket indentation on the wall.

## Step Seven

Insert the T-Bolt into the blue wall anchor, leaving approximately 3/8" off the wall and in a horizontal position. There should be no thread visible.

## Step Eight

Place frame back on to the wall, allowing the T-Bolt to enter the security bracket. Using the security wrench provided, reach behind the frame and locate the T-Bolt. Turn the bolt 90-degrees, locking the frame onto the wall.

