



## Installation Instructions

## Hardwired LED Illuminated Mirror

### Please read carefully

Products in this specification manual must be installed by licensed and registered trades people. Disconnect power at the circuit breaker before putting on or taking off parts. Follow the manufacturer's instructions for installation and safety. Check to see if you need a permit. Observe applicable building and electrical codes. Contact a licensed electrician contractor if you have any doubts or questions about the connections, or if your home's wiring doesn't appear compatible with the changes you're making. The manufacturer/distributor reserves the right to vary specifications or delete models from their range without prior notification. Dimensions are nominal measurements only.

### General Safety Rules to follow:

- Read all instructions carefully
- Protect your eyes, wear safety goggles
- Make sure the installation area is free of clutter
- Turn off electricity including wall switch's
- Do not modify wires in any way

### Tools required

- Phillips #2 screw driver
- Pencil
- Drill with 1/4" bit
- Level
- Measuring Tape

### Package Contents

- Wall anchors and screws
- Mirror back plate and mirror
- Instruction sheet

### Before you begin

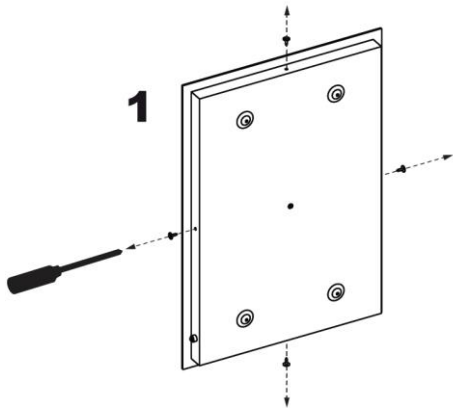
Turn off the power. In your electrical circuit panel, locate the circuit breaker control for the room where you'll be working and switch the circuit off.

If the circuits in your panel aren't labeled, turn on the existing light, and turn off the power to each circuit until the light goes out. Leave the power off, and label this circuit breaker for future reference. Please ensure light switch is off.

### Part 1: Mapping out the installation area

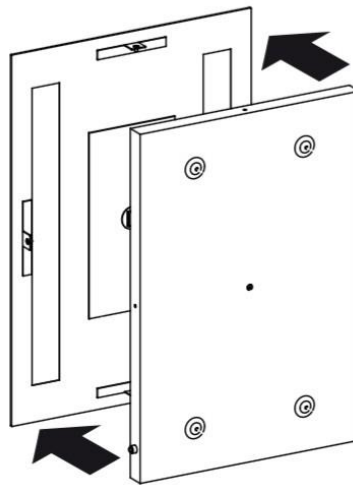
(Step 1) Lay mirror with mirror facing down flat and remove the screws from the side of the back plate of the LED illuminated mirror. (Step 2) Separate the back plate from the mirror. (Step 3) Place the back plate over the area where the illuminated mirror will be installed and draw in the holes. Ensure the unit is level before marking your holes.

### Step 1:



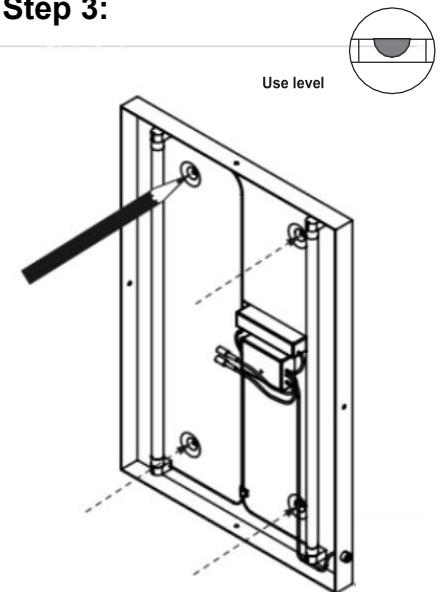
Remove screws from mirror back plate

### Step 2:



Separate the back plate from the mirror

### Step 3:



Mark installation holes

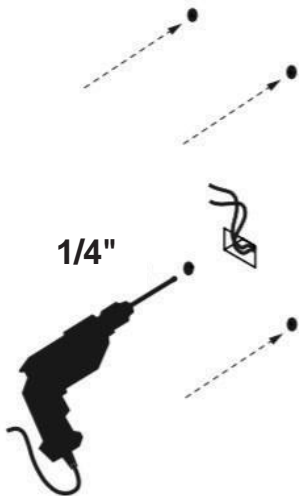
**NOTE:** Mirror can be installed vertically or horizontally

## INSTALLATION INSTRUCTIONS CONT'D

### Part 1: Mapping out the installation area cont'd

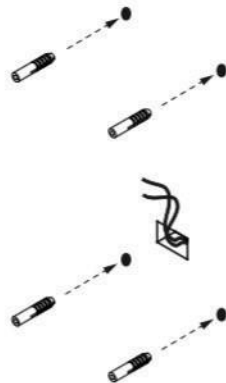
Using a 1/4" drill bit. Drill holes in the corresponding marks from Step 3 (Step 4). Place supplied anchors in the holes (Step 5). Secure back plate with screws supplied to anchors (Step 6).

#### Step 4:



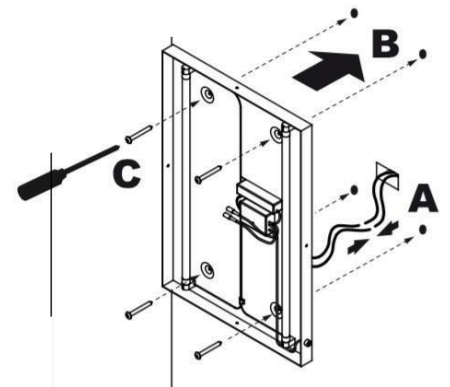
Drill holes

#### Step 5:



Add anchors

#### Step 6:

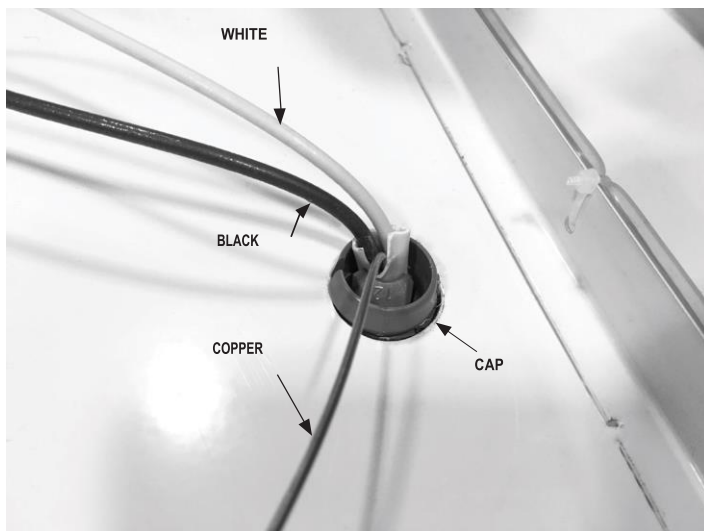


Secure back plate to anchors

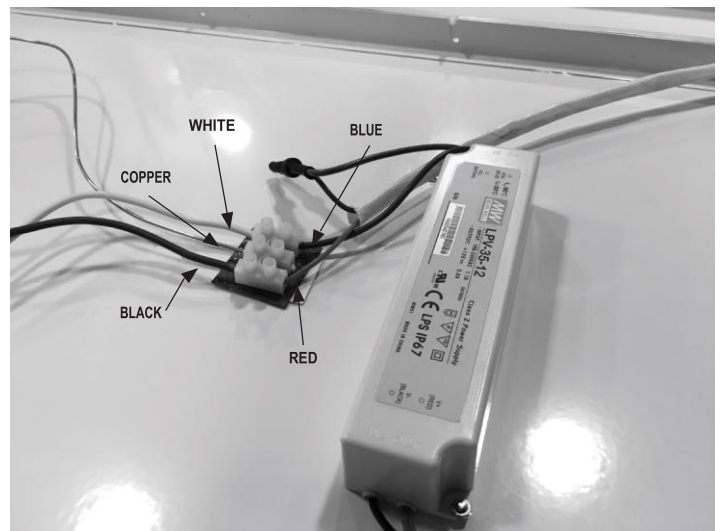
### Part 2: Connecting the wires

Ensure wires feed through the safety wire cap (Step 7). Connect wires into the connecting harness in (Step 8). Align the **white wire** from the wall with the **blue wire** and **black wire** with the **red wire**. The copper ground wire should be tightened in place in the center of the connection module. Ensure all connection are tight in place before proceeding.

#### Step 7:



#### Step 8:



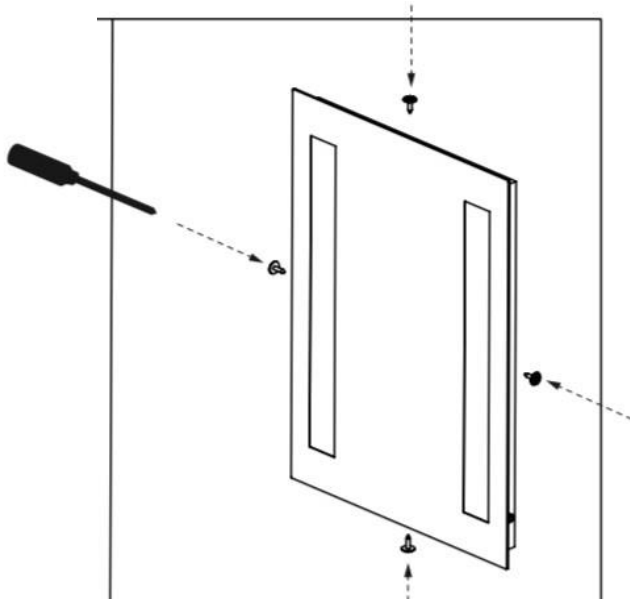
## INSTALLATION INSTRUCTIONS CONT'D

---

### Part 3: Completing the installation

Attach mirror front to the back plate and secure with provided screws (**Step 9**). Warning! If mirrors are not hung properly accidents may occur and may cause serious injuries.

#### Step 9:



### Part 4: Care and maintenance

- The best and safest cleaner for a mirror is clean, warm water used with a soft cloth. Be careful not to allow the edges of the mirror to get or remain wet over a period of time.
- If using a commercial glass or mirror cleaner, be sure to use a standard brand of glass or mirror cleaner that does not contain ammonia or vinegar. Do not use Windex. Never spray any cleaner directly on to a mirror. Instead, apply the cleaner to a soft cloth and then wipe the mirror.
- Always use soft, grit-free cloths when cleaning a mirror to reduce chances of scratching the surface.
- Be sure to dry all joints and edges thoroughly to be certain that no commercial cleaner comes in contact with the edges and backing.

---

### Limited Warranty

FrameMyMirror, LLC warrants their products against manufacturer's defects for up to five years from the purchase date. The warranty applies only to the original purchaser of the product from FrameMyMirror.

If a product is determined to be defective due to a manufacturer's defect, FrameMyMirror will supply a replacement product. The scope of the warranty is limited to replacing the product and does not include labor to install, repair, deliver, or to remove the existing illuminated mirror.

This warranty is void in the event the product is damaged in transit, or if damage or failure is caused by abuse, misuse, storage of products in an improper environment, abnormal usage, faulty installation, failure to follow installation instructions, damage in an accident, improper maintenance, or any repair. FrameMyMirror reserves the right to inspect any claim prior to issuing credit.



4062 Peachtree Rd, Ste. A  
Atlanta, GA 30319

800-331-6414  
www.FrameMyMirror.com  
sales@framemymirror.com